

GENERATOR



**GENERATING SETS**

WATER COOLED THREE PHASES 50 HZ DIESEL

Service		Standby	Prime
Power	kVA	20	17
Power	kW	16	13,6
Rated Speed	r.p.m		1500
Standart Voltage	V		400/230
Rated At Power Factor	Cos Phi		0,8

POWERSAN Company with quality certification ISO 9001

POWERSAN gensets are compliant with EC mark which includes the following directives:

- 2006/42/EC Machinery safety.
- 2014/30/EU Electromagnetic compatibility.
- 2014/35/EU Electrical equipment designed for use within certain voltage limits
- 2000/14/EC Sound Power level. Noise emissions outdoor equipment. (amended by 2005/88/EC)
- 97/68/EC Emissions of gaseous and particulate pollutants. (amended by 2002/88/EC & 2004/26/EC)
- EN 12100, EN 13857, EN 60204

Ambient conditions of reference according to ISO 8528-1:2005 normative: 1000 mbar, 25°C, 30% relative humidity. G2 class load acceptance in accordance with ISO 8528-5:2013



**+90 850 220 65 28**

[powersan@powersan.com.tr](mailto:powersan@powersan.com.tr)

**POWERSAN MAKINA SANAYI TIC.LTD.STI.**

Alize Business Center No.8 - Tuzla / ISTANBUL / TURKIYE

T: +90 850 220 65 28 [www.powersan.com.tr](http://www.powersan.com.tr)

## GENERATOR

## SPECIFICATIONS



## Engine



## Alternator

## Engine

## Prime

Standby Power/Prime Power	<i>kWm</i>	18,7 / 17
Manufacturer		Yangdong
Model		YND485D
Engine Type		4 Stroke - Diesel
Injection Type		Direct Injection
Aspiration Type		Naturally Aspirated
Number of cylinder		4
Bore and Stroke	<i>mm</i>	85x95
Displacement	<i>L</i>	2,156
Cooling System		Water Cooling
Fuel Consumption 25% PRP	<i>l/h</i>	2,54
Fuel Consumption 50% PRP	<i>l/h</i>	3,46
Fuel Consumption 75% PRP	<i>l/h</i>	4,36
Fuel Consumption 100% PRP	<i>l/h</i>	5,2
Total oil capacity including tubes, filters	<i>L</i>	5,5
Engine coolant capacity	<i>L</i>	7
Governor	<i>Type</i>	Mechanical
Electric system voltage(V)	<i>V</i>	12

## Alternator

## Specifications

Brand		Powersan
Model		184E
Output Voltage	<i>V</i>	230/400
Frequency	<i>HZ</i>	50
Automatic Voltage Regulation	$\pm\%$	1
Alternator Stand By Power	<i>kVA</i>	20,3
Alternator Continuous Power	<i>kVA</i>	18,8
Power Factor	<i>Cosq</i>	0,8
Number of Wires		12
Winding		2/3
Protection Class		IP23 / H
Excitation System		Self-excited
AVR Model		SX460
Performance - PF 0,8 / %75 Load	<i>%</i>	86,3

**Prime Power (PRP):**

According to ISO 8528-1:2005, Prime power is the maximum power which a generating set is capable of delivering continuously whilst supplying a variable electrical load when operated for an unlimited number of hours per year under the agreed operating conditions with the maintenance intervals and procedures being carried out as prescribed by the manufacturer. The permissible average power output (Ppp) over 24 h of operation shall not exceed 70 % of the PRP.

**Emergency Standby Power (ESP):**

According to ISO 8528-1:2005, Emergency standby power is the maximum power available during a variable electrical power sequence, under the stated operating conditions, for which a generating set is capable of delivering in the event of a utility power outage or under test conditions for up to 200 h of operation per year with the maintenance intervals and procedures being carried out as prescribed by the manufacturers. The permissible average power output over 24 h of operation shall not exceed 70 % of the ESP.

**Note:** All data based on operation to ISO 3046/1, BS 5514 and DIN 6271 standard reference conditions

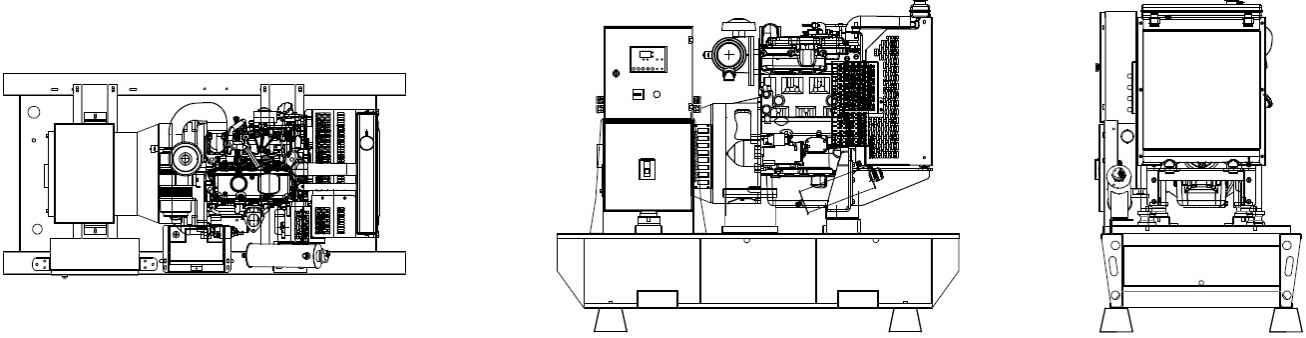
**+90 850 220 65 28**[powersan@powersan.com.tr](mailto:powersan@powersan.com.tr)**POWERSAN MAKINA SANAYI TIC.LTD.STI.**

Alize Business Center No.8 - Tuzla / ISTANBUL / TURKIYE

T: +90 850 220 65 28 [www.powersan.com.tr](http://www.powersan.com.tr)

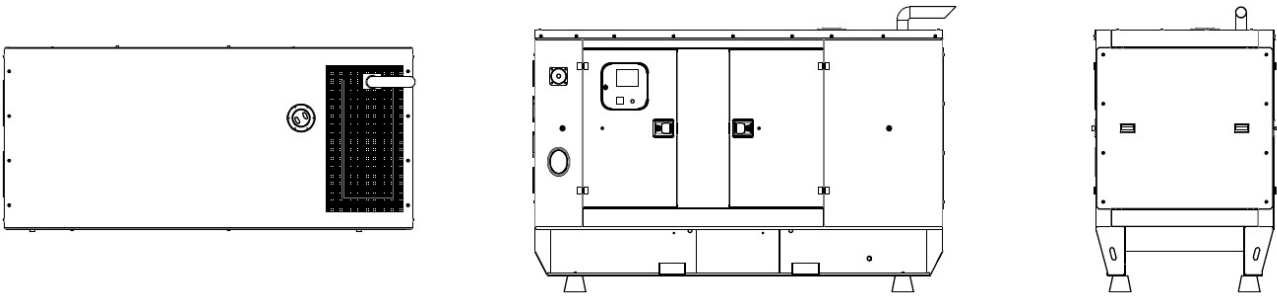
## GENERATOR

## DIMENSIONS



## OPEN SET

LxWxH	mm	1500x750x1000
Weight	kg	600
Fuel Tank	lt	57



## CANOPIED

LxWxH	mm	1850x920x1210
Weight	kg	750
Fuel Tank	lt	57

## Sound Proof Canopy

- Special design for minimizing acoustic level.
- Galvanized steel construction further protected by polyester powder coat paint.
- Black finish stainless steel locks and hinges.
- Control panel viewing window in a lockable access door.
- Emergency stop push button (red) mounted on enclosure exterior.
- Lifting, drag and jacking points on base frame.
- Radiator fill via removable, flush mounted rain cap fitted with compression seal.
- Acoustic insulation with moisture-repellent and non-flammable material

**+90 850 220 65 28**

powersan@powersan.com.tr

**POWERSAN MAKINA SANAYI TIC.LTD.STI.**

Alize Business Center No.8 - Tuzla / ISTANBUL / TURKIYE

T: +90 850 220 65 28 www.powersan.com.tr

## GENERATOR

## CONTROL UNIT



### Control Unit



ATS unit with uninterrupted transfer	Internet Central Monitoring
AMF unit with uninterrupted transfer	SMS / E-mail message sending
Remote / Manuel start controller	Flexible with plug-in modules
Engine controller	Free PC software: Rainbow Plus
GSM-GPRS-GPS-Ethernet Port	Modbus RTU
8 configurable digital inputs	

## ATS PANEL

POWERSAN automatic transfer switches are reliable, rugged, versatile, and compact assemblies for transferring essential loads and electrical distribution systems from one power source to another. POWERSAN 's contactor, changeover and MCCB based transfer switch is rated 40-3600A and can be supplied in separate enclosures for standalone applications or can be supplied as an integral component contactors, changeovers and MCCB's, inside the ATS panels are well known and internationally recognized brands such as ABB, SIEMENS, SCHNEIDER, GE, LS, HYUNDAI and ANDELI.



## OPTIONAL EQUIPMENTS

### Some Optional Equipments that POWERSAN provides with Generator Sets;

- Medium voltage alternator,
- Remote radiator applications,
- Automatic fuel filling system,
- Fuel tank, oil pan, dashboard, alternator, coil heaters,
- Alternator with double AVR and PMG,
- Synchronization systems, The generator output breaker,
- Grid-generator transfer switches,
- Accordance with the specific volume of demand-insulated cabins,
- Seismic solutions,
- Trailer,
- Remote monitoring.
- SMPS 12/24V 10A

### Control Panel

- DeepSea 7320
- Datakom D700/D300/D309/D200
- ComAp AMF9 / AMF25
- Emko



+90 850 220 65 28

[powersan@powersan.com.tr](mailto:powersan@powersan.com.tr)

**POWERSAN MAKINA SANAYI TIC.LTD.STI.**

Alize Business Center No.8 - Tuzla / ISTANBUL / TURKIYE

T: +90 850 220 65 28 [www.powersan.com.tr](http://www.powersan.com.tr)